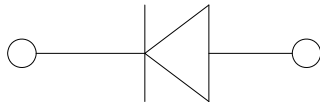


Low profile package  
 Ideal for automated placement  
 Glass passivated chip junction  
 High forward surge capability  
 Super Fast reverse recovery time  
 Meets MSL level 1, per J-STD-020, LF maximum peak of 260 °C

For use in high frequency rectification of power supplies, inverters, converters, and freewheeling diodes for consumer, and telecommunication.



: SOD-123HE

Molding compound meets UL 94 V-0 flammability rating, RoHS-compliant, halogen-free

: Tin plated leads, solderable per J-STD-002 and JESD22-B102

Cathode line denotes the cathode end

( $T_a=25$  Unless otherwise specified)

Device marking code			E2AE	E2BE	E2CE	E2DE	E2FE	E2GE	E2HE	E2JE	E2KE
Maximum Repetitive Peak Reverse Voltage	$V_{RRM}$	V	50	100	150	200	300	400	500	600	800
Maximum RMS Voltage	$V_{RMS}$	V	35	70	105	140	210	280	350	420	560
Maximum DC blocking Voltage	$V_{DC}$	V	50	100	150	200	300	400	500	600	800
Average rectified output current @60Hz sine wave, resistance load, TL (Fig.1)	$I_o$	A	2.0								
Forward Av	$I_{FSM}$	A	50								
Forward Surge Current (Non-repetitive) @1ms, square wave, 1 cycle, $T_j=25$			100								
Current squared time @1ms t 8.3ms $T_j=25$	$I^2t$	$A^2s$	10.375								
Storage temperature	$T_{stg}$		-55 ~ +150								
Junction temperature	$T_j$		-55 ~ +150								



---

T<sub>a</sub>=25 Unless otherwise specified

FIG3: Typical Forward Voltage

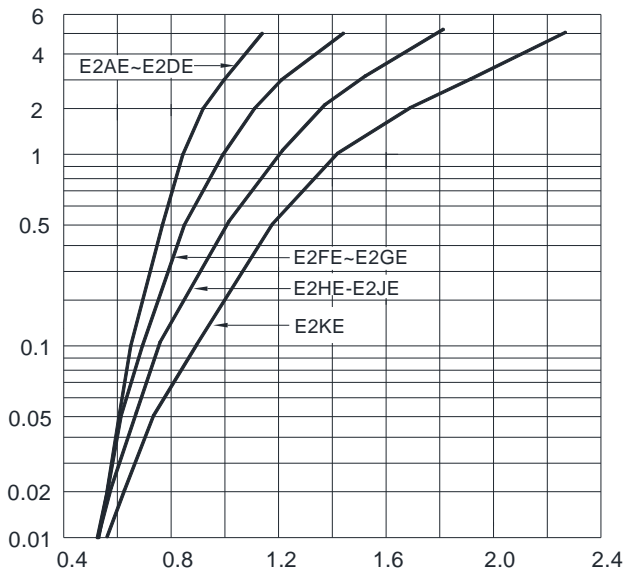
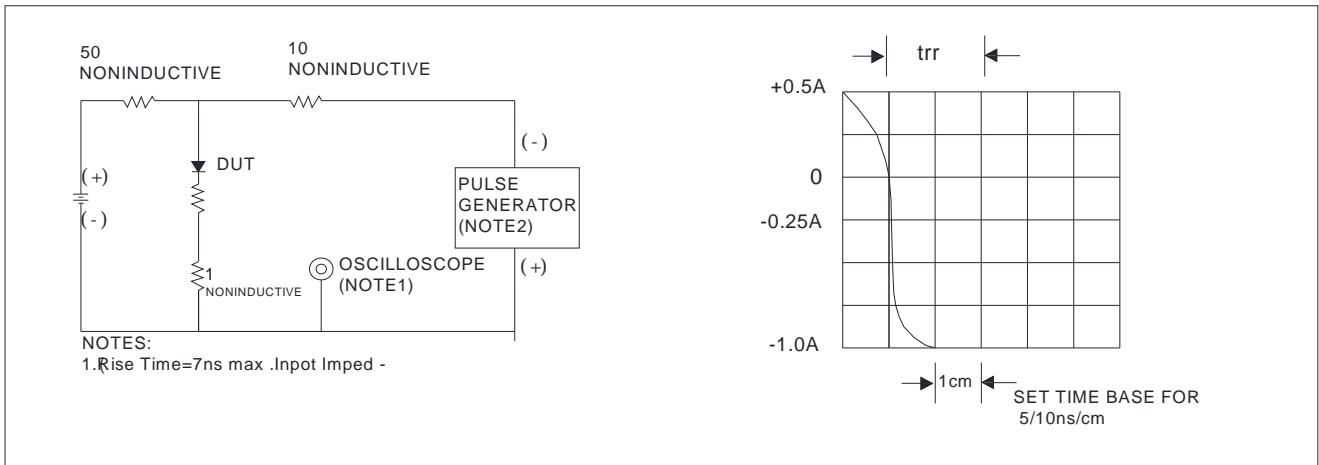
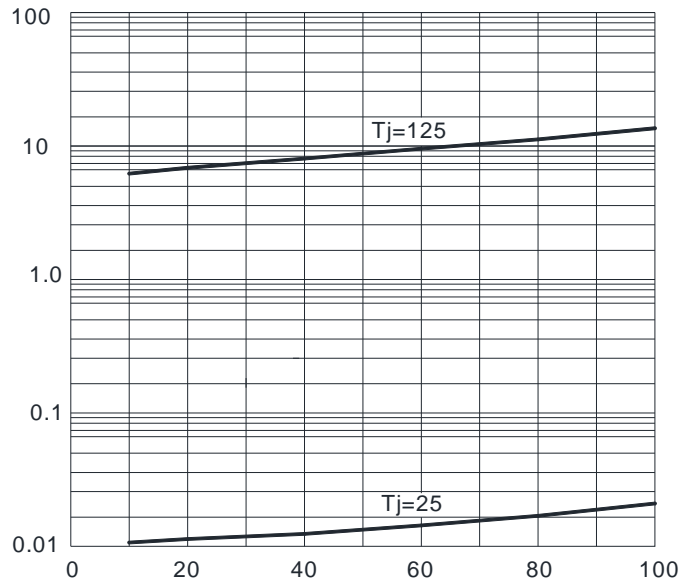
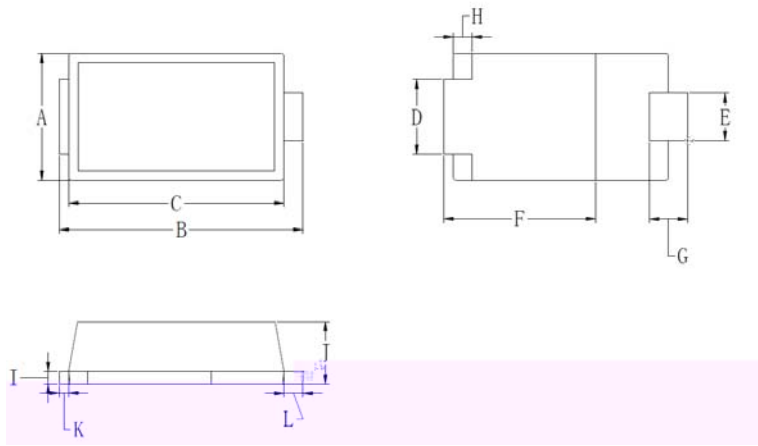


FIG4: Typical Reverse Characteristics

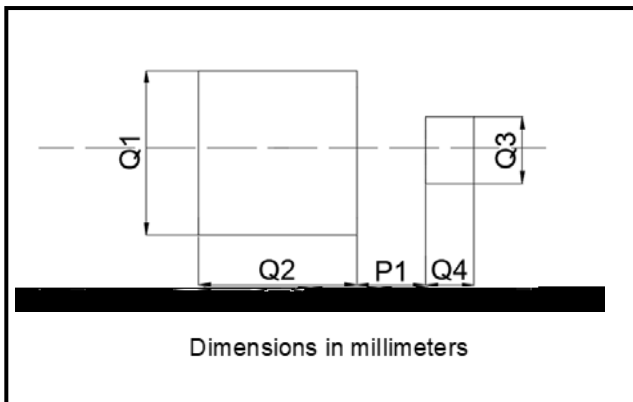


## SOD-123HE



Dimensions in millimeters

Dim	Min	Max
A	1.88	2.18
B	3.70	4.00
C	3.19	3.61
D	1.05	1.35
E	0.61	0.91
F	2.20	2.90
G	0.40	0.80
H	0.30 TYP	
I	0.10	0.30
J	0.85	1.15
K	0.00	0.30
L	0.15	0.45



Dimensions in millimeters

Dim	Millimeters
P1	0.64
Q1	2.54
Q2	2.67
Q3	1.27
Q4	0.76



---

The information presented in this document is for reference only. Yangzhou Yangjie Electronic Technology Co., Ltd. reserves the right to make changes without notice for the specification of the products displayed herein to improve reliability, function or design or otherwise.

The product listed herein is designed to be used with ordinary electronic equipment or devices, and not designed to be used with equipment or devices which require high level of reliability and the malfunction of which would directly endanger human life (such as medical instruments, transportation equipment, aerospace machinery, nuclear-reactor controllers, fuel controllers and other safety devices), Yangjie or anyone on its behalf, assumes no responsibility or liability for any damages resulting from such improper use of sale.

This publication supersedes & replaces all information previously supplied. For additional information, please visit our website [http:// www.21yangjie.com](http://www.21yangjie.com) , or consult your nearest Yangjie's sales office for further assistance.